

## MP 77 Bending Beam Load Cell



### 10 kg ... 500 kg

- Full stainless steel construction
- Compatible with other sources
- Hermetically welded seal (IP68)
- Approved according to OIML R60
- Ex version available

### Application

- Platform scales
- Tank and hopper scales

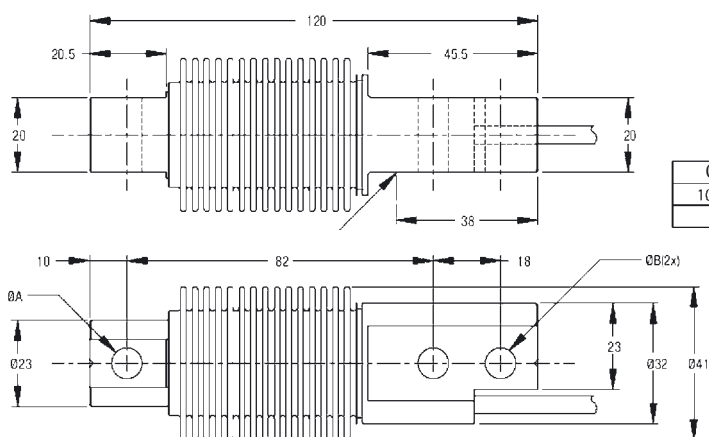
Technical Data		C3MR	
Accuracy class (Combined error)		0.02	$E_{max}$
Maximum capacity	$E_{max}$	10   20   50   100   200   250   500	kg
Maximum usable load	$E_u$	200	% $E_{max}$
Destructive load	$E_d$	$\geq 300$	% $E_{max}$
Safe side load	$E_{lq}$	100	% $E_{max}$
Maximum number of LC intervals	$n_{LC}$	3,000	
Minimum LC verification interval $v_{min} = E_{max}   Y$	Y	10,000	
Rated output	$C_n$	2.0	mV/V
Tolerance on rated output	$D_c$	$\leq \pm 0.1$	% $C_n$
Zero output signal	$S_{min}$	$\leq \pm 5$	% $C_n$
Creep, during 30 min.	$d_{cr}$	$\leq \pm 0.016$	% $C_n$
Temperature effect on $S_{min}$	$TK_{S_{min}}$	$\leq \pm 0.014$	% $C_n / 10 K$
Temperature effect on C	$TK_C$	$\leq \pm 0.01$	% $C_n / 10 K$
Input impedance	$R_{LC}$	$380 \pm 10$	$\Omega$
Output impedance	$R_o$	$350 \pm 3$	$\Omega$
Insulation impedance (100 V DC)	$R_{IS}$	$\geq 5.000$	M $\Omega$
Recommended supply voltage	$B_u$	5 ... 15	V
Nominal ambient temperature range	$B_T$	-10 ... +40	$^{\circ}C$
Usable ambient temperature range	$B_{T_u}$	-40 ... +80	$^{\circ}C$

## Technical Data

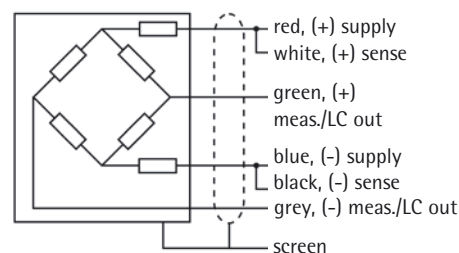
## C3MR

Nominal deflection	$S_{nom}$	0.29 ( $E_{max} = 10 \text{ kg}$ ); 0.30 ( $E_{max} = 20 \text{ kg}$ ); 0.23 ( $E_{max} = 50 \text{ kg}$ ); 0.30 ( $E_{max} = 100 \text{ kg}$ ); 0.38 ( $E_{max} = 200 \text{ kg}$ ); 0.87 ( $E_{max} = 250 \text{ kg}$ ); 1.25 ( $E_{max} = 500 \text{ kg}$ )	mm
Cable length		3.0	m
Cable type		6 conductor TPE cable (AWG 26), shield grounded	
Sensor material		Stainless Steel 1.4548	
Protection class (acc. to IEC 529)		IP68	

The technical data given here serve only as a product description and must not be interpreted as guaranteed characteristics in legal sense.



Capacity	A	B
10...250 kg	8.2	8.2
500 kg	10.5	8.2



Dimensions in mm

Wiring diagram

Type	Order Number	Type	Order Number
MP 77/10kgC3MR	9408 277 07010	MP 77/10kgC3MRE	9408 677 07010
MP 77/20kgC3MR	9408 277 07020	MP 77/20kgC3MRE	9408 677 07020
MP 77/50kgC3MR	9408 277 07050	MP 77/50kgC3MRE	9408 677 07050
MP 77/100kgC3MR	9408 277 07110	MP 77/100kgC3MRE	9408 677 07110
MP 77/200kgC3MR	9408 277 07120	MP 77/200kgC3MRE	9408 677 07120
MP 77/250kgC3MR	9408 277 07125	MP 77/250kgC3MRE	9408 677 07125
MP 77/500kgC3MR	9408 277 07150	MP 77/500kgC3MRE	9408 677 07150

## Certificate of conformity

### MP 77 (optional)

Ex-Zone 2, 22  
II 3G Ex nA II T6  
II 3D Ex tD A22 IP65 T85°C

### MP 77/..E

Ex-Zone 0, 1, 20, 21  
II 1G Ex ia IIC T6|T5 Ga  
II 1D Ex ia IIIC IP67 T100°C Da



### Accessories

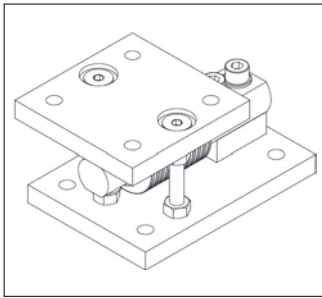
#### MP 80 | MP 90 – Cables and cable junction boxes

- MP 80 Installation cable
- Temperature range: -40°C ... +90°C
  - Material: TPE
  - 6-wire cable

- MP 90/04 Cable junction box
- Temperature range: -20°C ... +70°C
  - Material: ABS
  - Protection class: IP65

- MP 90/06 Cable junction box
- Temperature range: -30°C ... +70°C
  - Material: Polycarbonat
  - Protection class: IP67

MP 80/31	Meteor installation cable 30 m	9408 800 80311
MP 80/51	Meteor installation cable 50 m	9408 800 80511
MP 80/12	Meteor installation cable 100 m	9408 800 80121
MP 80/32	Meteor installation cable 300 m	9408 800 80321
MP 80/80	Grounding cable	9408 800 80801
MP 90/04	Cable junction box for up to 4 load cells	9408 800 90041
MP 90/06	Cable junction box for up to 4 load cells (6-wire)	9408 800 90061



#### MP 97 – Mounting kit

- Simple mounting solution for tanks and hoppers
- Material: mild steel, chromated
- Permissible horizontal force:
  - MP 97/00: 2.5 KN
  - MP 97/01: 5 KN
- Dummy function: 3 KN
- Permissible lift-off force: 10 KN

MP 97/00N	Mounting kit for MP 77 up to 250 kg	9408 800 97001
MP 97/01N	Mounting kit for MP 77/500kg	9408 800 97011

